



DBP 60 60cm Pyramidal Decorative Hood with 4 speeds



LED

DESCRIPTION

60cm Pyramidal Decorative Hood with 4 speeds

LIFE STYLE

Easy

COLOURS



REFERENCE

REF. 40460509
EAN. 8421152133705



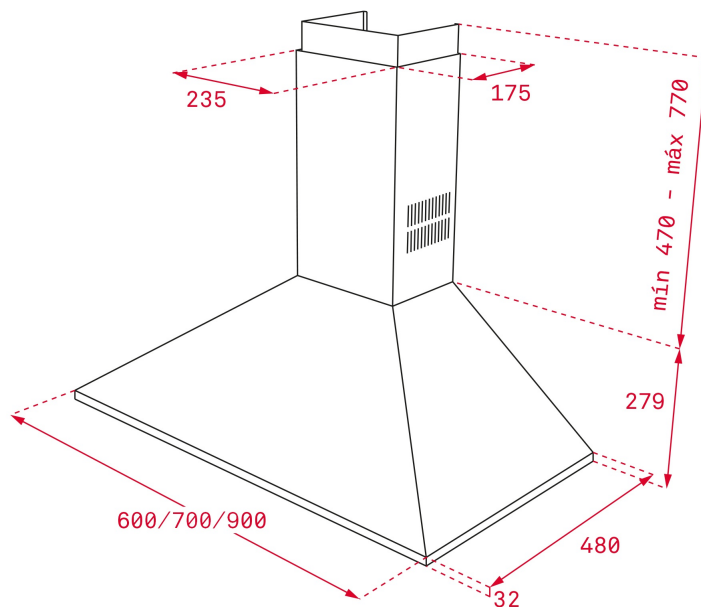
DBP 60

FEATURES

Decorative pyramidal hood
Push buttons control
4 speeds
Free Outlet exhaust capacity (m³/h): 650
Max speed exhaust capacity (m³/h): 613
Min speed exhaust capacity (m³/h): 318
Max speed sound level (dBA): 56
Min speed sound level (dBA): 28
2 LED lamps
2 Stainless Steel filters
Operating pilot light
Anti-return valve included
Outlet reduction included
Optional recirculation kit with tube cover installation: SET 1/M1
Optional Charcoal Filter: D4C

DIMENSIONS

Product height (mm): 749-1049
Product width (mm): 600
Product depth (mm): 480
Product length (mm):
Net weight (Kg): 7,4



TECH SPECS

PARTICULAR CHARACTERISITICS

Certificates: CE; CB; Rohs
Ø Outlet (mm): 150
Type of inner light: LED
Inside light Consumption (W): 5
Plug type: European plug
Cable Connection Length (cm): 100
Power rate (V): 220-240
Frequency (Hz): 50/60
Total hood power (W): 190
Number of motors: 1
Motor power (W): 180

EU REGULATION NO. 65/2014 &66/2104

Annual energy consumption AEC kWh/annum (kWh): 104,1
Energy Efficiency Class: C
Fluid Dynamic Efficiency (FDEhood): 17,1
Fluid Dynamic Efficiency class: E
Light Efficiency (Lehood) lux/Watt: 7,0
Lighting Efficiency class: F
Grease Filtering Efficiency class: C
Air flow (Qmin) m3/h: 268

Air flow (Qmax): 614
Air flow (Qboost): 0
Noise (LwA) min. speed (dB): 55
Noise (LwA) max. speed (dB): 68
Noise (LwA) boost speed (dB): 0
Off mode Power (Po) W: 0,00
Standby Power (Ps) W: 0,00
Energy Efficiency Index (EEI): 83,0
Time increase factor: 1,4
Air pressure at best efficiency point(Pbep) Pa: 330
Electric power input at best efficiency point (Wbep) W: 191,8
Nominal power of the lighting system (WL) W: 8,4
Average illumination of the lighting system on the cooking surface (Emiddle) Lux: 59

ACCESSORIES

Anti Return valve: Yes
Outlet reduction: Yes
Outlet extension: No
Optional Charcoal Filter: C1RTK
Regenerative charcoal filter: R1RTK
Integration Frontal panel Code: No
Conventional recirculation kit (opt) - w/tube cover: CFH 15200 L2C
Regenerative recirculation kit (opt) - w/tube cover: RFH 15200 L2C
Conventional recirculation kit (opt) - w/o tube cover: No
Regenerative recirculation kit (opt) - w/o tube cover: No

MODELS

Number of filters: 2
Filter description: Stainless Steel filters
Opening system: No
Control panel: Rectangular Push Buttons
Number of speeds: 3 + 1

PRODUCT INFORMATION SHEET - DELEGATED REGULATION (EU) 65/2014

Supplier name or trademark: TEKA
Model identifier: DBP 60
Annual Energy Consumption: 104,1
Energy Efficiency Class: C
Fluid Dynamic Efficiency: 17,1
Fluid Dynamic Efficiency class: E
Lighting Efficiency: 7,0
Lighting Efficiency class: F
Grease Filtering Efficiency class: C
Air flow (min speed normal use): 268
Air flow (max speed normal use): 614
Air flow (intensive or boost use): 0
Airborne acoustical A-weighted sound power emissions (min speed normal use): 55
Power consumption in off mode (W): 0,00
Power consumption in standby mode (W): 0,00



DBP 60

ENERGY LABEL

